

CrystalView DVI CATx



Digital CATx KVM Extender

- 120m
- 1600 x 1200 DVI
- CAT5, CAT5e, CAT6
- PS/2 USB
- Single Dual
- 가

- DVI-D
- PS/2 USB / CPU 120m
- KVM Station 가
- : 1600 x 1200 @ 60Hz
- 18-Bit Color (256,000)
- Single Dual 가
- 가
- Local Access KVM
- Status Data Error Indicators
-

Note : CATx = CAT5, CAT5e, CAT6 CAT7 Cables



<Standard CATx Cable>

CrystalView DVI CATx

CrystalView DVI CATx KVM Switch, KVM

KVM Extender CAT5, 5e, 6 7
CrystalView DVI CATx 120m

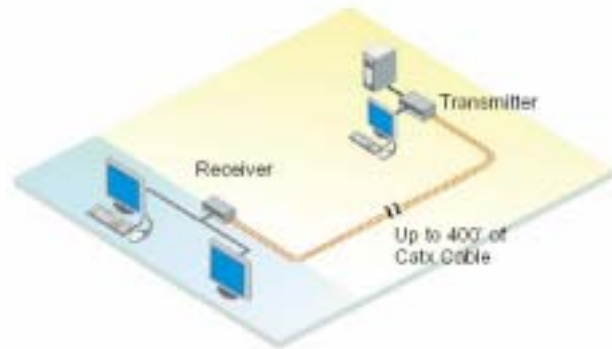
CrystalView DVI Fiber DVI-D

Transmitter CPU, Receiver DVI-D, Transmitter
KVM Switch, Receiver DVI-D
Receiver CATx, Transmitter
7 Receiver, Transmitter 120m

Transmitter Receiver KVM Access가 가
Transmitter Unit KVM Station 가
Transmitter KVM Access가 가

Dual Video, Dual
CrystalView DVI CATx Dual Video

Application



<Dual DVI Video >

CrystalView DVI Fiber Basics – CrystalView DVI CATx
PC, Server KVM Switch Transmitter
KVM Switch Receiver
Transmitter Receiver CATx
120m

CrystalView DVI CATx Transmitter
KVM Switch 1000

Model – CrystalView DVI CATx PS/2 USB
Dual Version PC KVM Station
Transmitter Receiver 가
Dual Video

Installation – CrystalView DVI CATx
Receiver KVM Station Transmitter CPU
CATx Transmitter Receiver

Microprocessor PC
Transmitter

CrystalView DVI CATx

Part Number

CRK-2DTXPD1D	PS/2, DVI-D, Single Video
CRK-2DTXPD2D	PS/2, DVI-D, Dual Video
CRK-2DTXUD1D	USB, DVI-D, Single Video
CRK-2DTXUD2D	USB, DVI-D, Dual Video

Specification

	/	PS/2 – MiniDin6 USB – USB Type A
		DVI-I
	Fiber	LC Fiber
		1600 x 1200 (60Hz)
		120m – CATx Cable (AWG24) 60m – CATx Cable (AWG26/8)
		90-240 VAC, 5 VDC / app. 10W
		CE
Indicator LED		– Power LED
		RJ45 LED –Data Error / Status
		10.0 x 14.4 x 3.0 cm (W x D x H)
		0.3kg, 0.6kg(Dual Video)
		5 ~ 45
		80%, Non - condensing



CrystalView DVI CATx (Single video model)



CrystalView DVI CATx (Dual video model)