

# FIB1-DATA

## V.35/RS-232/RS-530/X.21/RS-449 to Fiber Converter Family



FIB1 FRM301 Platform Converter Chassis Line  
 Card FIB1-DATA Optical Fiber Media  
 V.35/RS-232/RS-530/X.21/RS-449 Synchronous  
 Synchronous Asynchronous Fiber Media  
 Converter Media Converter Multi-mode Single Mode Optical Transceiver  
 SC, ST FC Single Mode  
 WDM(SC Wave Division Multiplexing) Single  
 Optical Fiber  
 20 40KM Reach FIB1-DATA SNMP  
 FRM301 Fiber Link E1  
 T1 Link  
 Far End Loopback Test

### Features

- HDB26 Female 1 ( )
- WDM Fiber ST, SC, FC
- 가 nx64kpbs, Clock Mode Setting, Asynchronous baudrate Loop Back Test
- LED Indicator : Power, Fiber Link, TD, RD, RTS, CTS, DCD, Test Mode
- Terminal SNMP Network Management(FRM301 )
- 10<sup>-11</sup> Optical Bit Error Rate

### Specification

Power Supply Specifications	
AC Input	110VAC +/-10%, 57~63Hz
Output	DC 9V, 1A < 4W
EMI	FCC Class A, CE(EN55022), (EN60950)
General Specifications	
	0~50
	0~70
	20~80%
	10~90%
	122.6mm x 85.6mm x 20mm (LxWxH)
	340g

FIB1-DATA Technical Specifications	
	1
	HDB26F(Adapter cable to DB15,25,37 MB34)
	NRZ
	n x 64kpbs where n = 1 ~ 32 (64 ~ 2048kpbs)
Clock Mode	Transparent, Recovery, External, Internal RC,TC, ETC Normal Inverted
	CTS ON, RTS DRS ON, Test DCD ON,
Test Loop	LLB(Local Loop Back) RLB(Remote Loop Back) ITU-T V.54

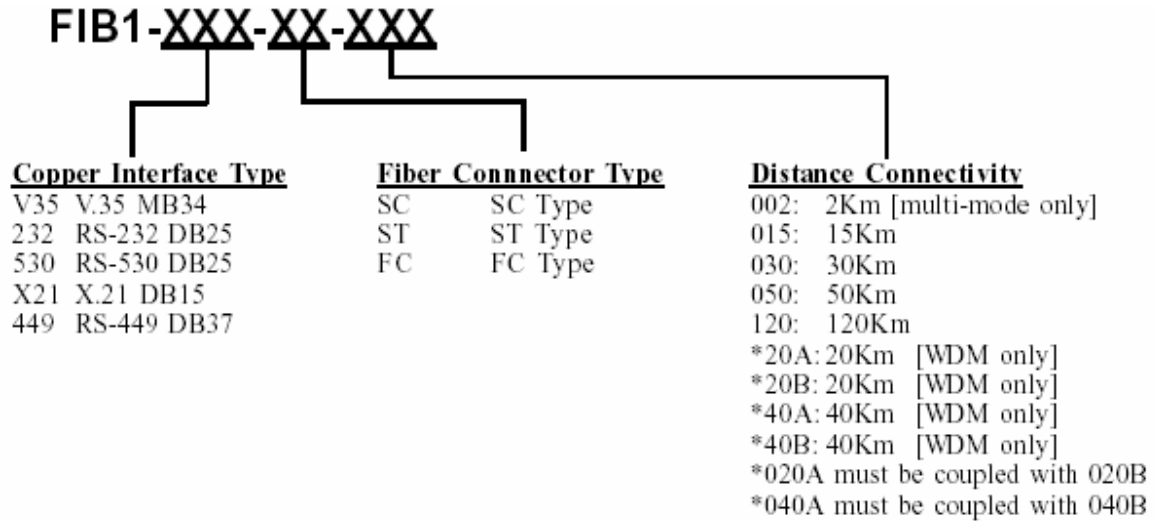
### Optical Specification (Optical Interface)

Type	Standard Type					WDM Type			
	M-M	S-M	S-M	S-M	S-M	S-M	S-M	S-M	S-M
Distance(km)	2	15	30	50	120	20(A)	20(B)	40(A)	40(B)
Wavelength (nm)	1310	1310	1310	1310	1550	Tx:1310 RX:1550	Tx:1550 RX:1310	Tx:1310 RX:1550	Tx:1550 RX:1310
BER	< 10 <sup>-10</sup>	< 10 <sup>-10</sup>	< 10 <sup>-10</sup>	< 10 <sup>-10</sup>	< 10 <sup>-10</sup>	< 10 <sup>-10</sup>	< 10 <sup>-10</sup>	< 10 <sup>-10</sup>	< 10 <sup>-10</sup>
Sensitivity	-31dBm	-32dBm	-35dBm	-36dBm	-35dBm	-32dBm	-32dBm	-32dBm	-32dBm
Output Power	-20dBm	-20dBm	-15dBm	-8dBm	0dBm	-15dBm	-18dBm	-7dBm	-10dBm
Power Margin	11dB	12dB	20dB	28dBm	35dBm	17dBm	14dBm	25dBm	22dBm
Return Loss	-12dBm	-12dBm	-12dBm	-12dBm	-12dBm	-14dBm	-14dBm	-14dBm	-14dBm
Conn. Types	ST								
	SC								
	FC								

M-M : Multi - mode, S-M : Single - mode \* WDM (A) (B)가

# FIB1-DATA

## Ordering Information



### Examples

- FIB1-V35-SC-120      FIB1-DATA Feature with V.35I/F, with MB34 Male Cable Adapter, Single Mode 12 km, SC Type Connector Optical Interface
- FIB1-X21-SC-40A      FIB1-DATA Feature with X.21, with DB15 Female Cable Adapter, WDM 40km 12 km, SC Type Connector Optical Interface (      FIB1-X21-X-SC--40B      )