


# FIB2-10/100

## Fast Ethernet to Fiber Solution with Built-in Power Supply Converter Family



FIB2 AC DC Power Supply가 Fiber Media Converter  
 , 10/100 Ethernet 가 Link-Loss-Forwarding, Remote-  
 Monitoring-Status, Loop-Back-Test NMS Frame Length Selection .  
 SNMP Management  
 . Fib2-10/100 Ethernet Fiber Converter 가 Fiber  
 Cabling Connector ST, SC FC 가 . Multimode Single  
 Mode Converter WDM(Single Fiber Mode TX RX Wave  
 Division Multiplexing) . Ethernet Shielded RJ-45 Jack  
 HUB PC . Auto-negotiation ,  
 Half-duplex Full-duplex . LED  
 Duplex Status, UTP Link/RX FX Link/rx, FX Duplex Status .  
 FIB2 , UTP 가 SNMP . SNMP FRM301  
 , Link Loss Loop .

- AC DC-DC Power Supply
- 2km, 120km, WDM 40km
- ST, SC, FC
- N-Way Auto-Negotiation (10-100, Full-Half)
- Advanced Feature
- 1) Link-Loss-Forwarding : LLF
- 2) Loop-Back Test : DIP
- 3) Remote Monitor Status : DIP
- 4) Frame Length :
  - . 64~1518/1522 Bytes for Normal
  - . 64~1536 Bytes for Special
- Tag VLAN, Fail Links & Store Forward



### Specification

General Specifications	
	IEEE 802.3 10Base-T 802.3u 100Base-TX 100Base-FX
LED	Power, Ethernet & Fiber Link LED 6
	0~50
	0~70
	20-80%, 10~90%
Input	90~260VAC +/- 10%, 50~60Hz
Output	24-48 VDC
DC Adapter	18-75VDC
	2W
	191.7mm x 85.6mm x 30mm (LxWxH)
	550g
Emission	FCC Part 15 Class A, CE Mark
MTBF	38,000 Hours Minimum

LAN Interface Specifications		
Straight	Cross-Over	RJ-45 Female
Ethernet 10Base-T, 100Base-TX, Full, Half Duplex N-Way		
Full, Half Duplex, 10/100 Speed		
10Base-T/100Base-TX	:	14880 148800

Optical Specifications	
Transceiver	Singlemode ; Multimode, WDM
	ST, SC, FC
Wavelength	: 1310nm
	: 1310nm (50km )
	: 1550nm (50km , 120km )
	WDM : 1310/1550nm
Full, Half Duplex 가	Attenuator

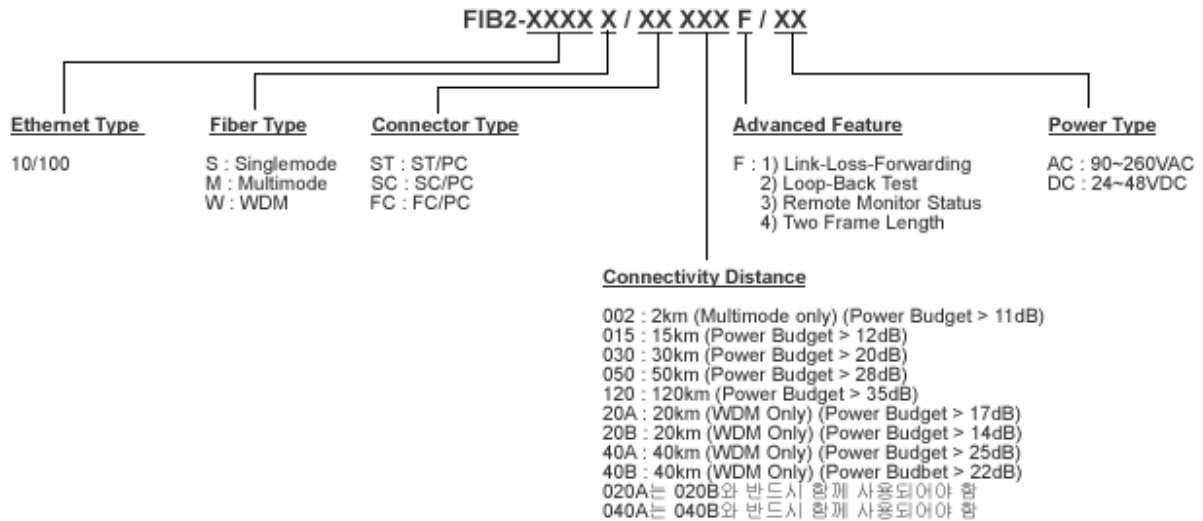
# FIB2-10/100

## Optical Interface Specification

Type	Standard Type					WDM Type			
	M-M	S-M	S-M	S-M	S-M	S-M	S-M	S-M	S-M
Distance(km)	2	15	30	50	120	20(A)	20(B)	40(A)	40(B)
Wavelength (nm)	1310	1310	1310	1310	1550	Tx:1310	Tx:1550	Tx:1310	Tx:1550
						RX:1550	RX:1310	RX:1550	RX:1310
BER	< 10 <sup>-10</sup>	< 10 <sup>-10</sup>	< 10 <sup>-10</sup>	< 10 <sup>-10</sup>	< 10 <sup>-10</sup>	< 10 <sup>-10</sup>	< 10 <sup>-10</sup>	< 10 <sup>-10</sup>	< 10 <sup>-10</sup>
Sensitivity	-31dBm	-32dBm	-35dBm	-36dBm	-35dBm	-32dBm	-32dBm	-32dBm	-32dBm
Output Power	-20dBm	-20dBm	-15dBm	-8dBm	0dBm	-15dBm	-18dBm	-7dBm	-10dBm
Power Margin	11dB	12dB	20dB	28dBm	35dBm	17dBm	14dBm	25dBm	22dBm
Return Loss	-12dBm	-12dBm	-12dBm	-12dBm	-12dBm	-14dBm	-14dBm	-14dBm	-14dBm
Conn. Types	ST								
	SC								
	LC								
	MTRJ								
	FC								

M-M : Multi-mode, S-M : Single-mode \* WDM (A) (B)가

## Ordering Information



## Example

FIB2-10/100S/ST030F-DC : Singlemode, ST Type, 30km, Advanced Features, DC Power Type

FIB2-10/100M/SC002F-AC : Multimode, SC Type, 2km, Advanced Features, AC Power Type

FIB2-10/100W/ST20AF-AC : WDM, ST Type, 20km, Advanced Feature, AC Type. 020BF 타입과 반드시 함께 사용해야 함