

HCT-7000

Bert / Protocol Analyzer X.25, Frame Relay, HDLC, PPP, ISDN-D



HCT- 7000
(2.048Mbps)
BERT(Bit Error Rate Test)
Debugging,
LCD
Pushbutton
LED , PCMCIA Card Slot,
Li-Ion

가 , AC Power Adapter(100~240 VAC)
가

	XTC, TC, RC, RL, LL, TM
E1 I/F Module	Single Present, HDB3, Signal Loss, FAS Loss, AIS, RAI, MRAI, MFAS Loss, CAS Loss, Pattern Loss, Excess Zero, Error
LDC Display	CCFL , Contrast Control 320x240 dots Graphic (30 Lines, Line 40 Characters)
Capture Buffer	SDRAM
Line Monitor	DTE;DCE;DTE&DCE
Emulation	DTE;DCE;Monitor
Counters &Timers	5
	AC100-240V Apapter to DC 19V/2.9A
	220 x 275 x 65 mm
	1.6kg
	0~50
	90% RH (Non - condensing)

- Frame Relay Analysis S/W Package :
 - 1) ITU Q.933 2m Frame Monitor Emulation
 - 2) PING
 - 3) LMI
- ANSI T1.618/T1.617 RFC 1490 (RFC2427)
-
- ASYNC Terminal Emulation
- File Management
- 가
-

General Specifications

(Dual port)	Datacom Interface Module : RS - 232C/D(V.24), RS - 449(V.36), RS530, X.21, V.35, G.703 E1(2048K) E1 Interface Module : G703 E1(2048K)
	Centronics Printer & Craft Control Serial Port
	Async, Sync(BSC), HDLC, SDLC, X.25, Frame Relay, SS#7, PPP(Sync.), V5.1, V5.2, ISDN-D
	Async/Sync : 150 - 2.048Mbps
	ASCII, EBCDIC, HEX, IPARS, Transcode, EBCD
	ASYNC Mode : 5,6,7 8 bits SYNC Mode : 8 bits
Parity Bits	ASYNC Mode : None, Odd, Even, Mark, Space
Stop Bits	ASYNC Mode : 1, 2
	: Full Duplex/Half Duplex Data Lead Status/Frame Packet
	None, Parity, LRC,CRC - 16,CRC - CCITT
LED	: , I/F 1 Error, I/F 2 Error, Paused Datacom I/F Module : TD, RD, RTS, CTS, DSR, DTR, DCD, RI,

G.703 E1/T1 BERT Specifications

BERT Patterns	63, 127, 2 ⁹ -1(511), 2 ¹¹ -1(2047), 2 ¹⁵ -1 ITU Standards, 2 ¹⁵ -1Non - standard(Inverted) 2 ²⁰ -1 ITU Standards 2 ²⁰ -1Non - standard(Inverted), QRSS, 2 ²³ -1 ITU Standards 2 ²³ -1Non - standard(Inverted), ALL ONEs(Mark), ALL ZEROS(Space), ALT(0101..), 3 in 24, 1 in 16, 1 in 8, 1 in 4, 가
BERT Display Format	Normal ITU - M.2100 () ITU G.821 ITU G.826
BERT Transmit Error Rate	Force Single Error : Logic(Bit),Frame,CRC,BPV(Bipolar Violation) Force 10-3 to Error Rate : Logic(Bit), Frame, CRC, BPV
Performance Analysis	Logic, Frame ,CRC, BPV, E -BIT Errors Receive Counter Error Seconds Error Free Seconds Error Rate G.821 Available Seconds G.821 Degraded Minutes G.821 Severely Error Seconds G.821 Error Seconds G.821 Unavailable Seconds G.826 Block G.826 Available Seconds G.826 Errored Block (EB) G.826 Background Block Error (BBE) G.826 Error Second (ES) G.826 Severely Errored Seconds (SES) G.826 Errored Second Ratio (ESR) G.826 Severely Errored Seconds Ritio(SESR) G.826 Background Block Error Ratio (BBER) LOF(Loss of Frame) Events COFA(Change of Frame Alignment) Events Severely Errored Frame Count

HCT-7000

Datacom BERT Specifications

Mode A : DTE	DCE Synchronous BERT
Interface	RS-232, V.35, X.21, RS-449, RS-530
56Kbps Multiples Nx56Kbps(n=1~32)	56k, 112k, 168k, 224k, 280k, 336k, 392k, 448k, 504k, 560k, 616k, 672k, 728k, 784k, 840k, 896k, 952k, 1008k, 1064k, 1120k, 1176k, 1232k, 1344k, 1400k, 1456k, 1512k, 1568k, 1624k, 1680k, 1736k, 1792k kbps
64Kbps Multiples Nx64Kbps(n=1~32)	64k, 128k, 192k, 256k, 320k, 384k, 448k, 512k, 576k, 640k, 704k, 768k, 832k, 896k, 960k, 1024k, 1088k, 1152k, 1216k, 1280k, 1344k, 1408k, 1472k, 1536k, 1544k, 1600k, 1664k, 1728k, 1792k, 1856k, 1920k, 1984k, 2048 kbps
BERT Patterns	63, 127, $2^9 - 1(511)$, $2^{11} - 1(2047)$, $2^{15} - 1$ ITU Standards, $2^{15} - 1$ Non-standard(Inverted), $2^{20} - 1$ ITU Standards, $2^{20} - 1$ Non-standard(Inverted), QRSS, $2^{23} - 1$ ITU Standards, $2^{23} - 1$ Non-standard(Inverted), ALL ONEs(Mark), ALL ZEROs(Space), ALT(0101...), 3 in 24, 1 in 16, 1 in 8, 1 in 4, 7
Tx Clock Source	Internal External Tx Clock
Rx Clock Source	External Rx Clock External Clock
BERT Transmitt Error Rate	Single, $10e-3$, $10e-4$, $10e-5$, $10e-6$, $10e-7$
Flow Control	DCE Permitted to Transmit on RTS Single or Not DCE Permitted to Transmit on CTS Single or Not

Overview

Product overview (Connectors)



Product Overview (Mics.)

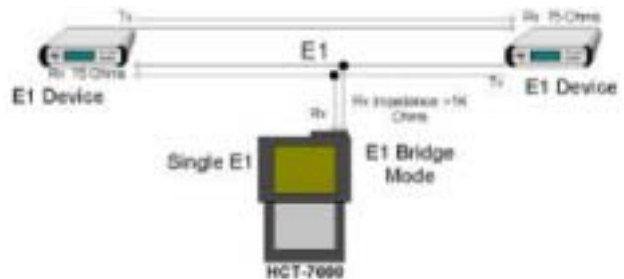


Applications

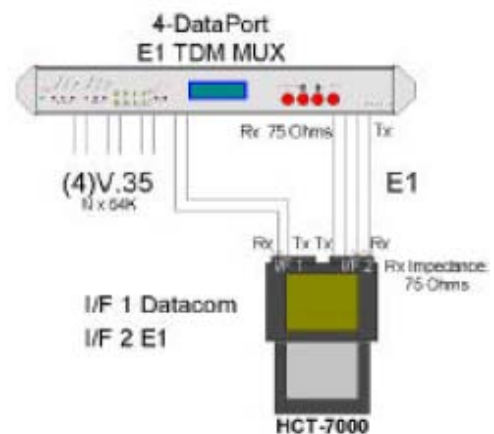
E1 Terminal Mode



E1 Bridge Mode

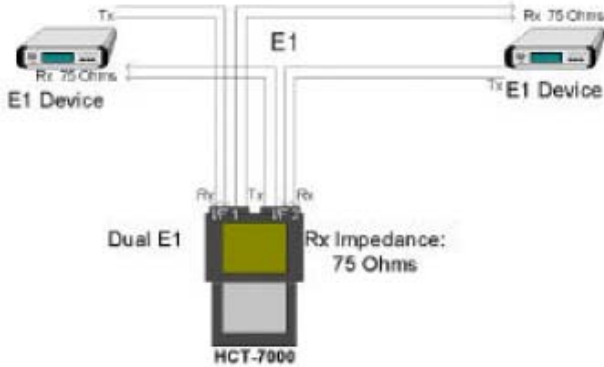


MUX Feature – E1 BERT & Datacom BERT



HCT-7000

E1 Dual Port – Drop and Insert BERT Test



Ordering Information

HCT 7000	
LCD, LED, AC Power Adapter(90~260VAC),	
Hardware Options	
E1 Interface Module	E1 Logic, Frame, CRC, BPV, E-bit BERT, M.2100 BERT. 2 BNC 2 BNC to BNC 75 ohm () E1 I/F Apaptor Cable() 1) DB15/RF-45 Adapter 2) CAB-DB15BANF2-E1 3) CAB-DB15BANM2-E1 4) CAB-BANMIPM-E1 5) CAB-BAN3PSM-E1
Datacom Interface Module	RS-232 2 HD26, V.35, RS-530/RS-449, X.21 Interface. HD26M to DB25M (RS-530) Gender Changer() Datacom I/F Apaptor Cable() 1) CAB-HD26DB25M(F)-232-1 2) CAB-HD26DB25M(F)-530-1 3) CAB-HD26DB25M(F)-449-1 4) CAB-HD26DB25M(F)-X21-1 5) CAB-HD26DB25M-V35-1
Software Options	
(2.048Kbps Datacom, E1 T1)	
<ul style="list-style-type: none"> Frame Relay Suite : Frame Relay Emulation & Monitor, PING, LIM SS#7 F/W : E1/T1 CCS SS#7 Protocol Analysis Firmware Pack ISDN F/W : E1/T1 ISDN-D Channel Protocol Analysis Firmware V5 F/W : E1 CCS V5. 1/V.5.2 Protocol Analysis 	