

PLS-345

Telnet Dial-Up Physical Layer A/B Switch



- 3 RJ-45 Circuits
- IP
- Signal Monitoring
- 가 Position
- 10Base-T Ethernet Control Port
- RS-232 Console Port
- Out of Band Management Independent Modem

Remote Switching

Telnet TCP/IP
 VT100 Terminal Emulation Out of Band
 A/B Switching System . 3 A/B
 Circuits Code Command Manual Switch
 , Site ID, Connector Labels, Status

PLS A&B CAT5 10/100 Base-T
 Routing
 PLS RS-232, "T1", DSL, RS-422/485

Monitor Mode

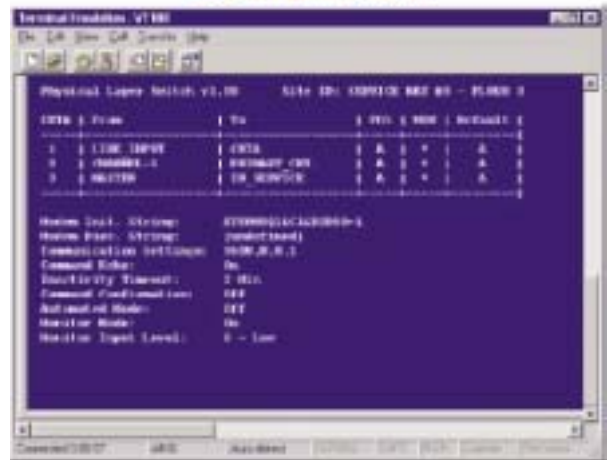
Monitor Mode PLS가 External RS-232 Contact Closure
 Input A;/B Paths
 Parameter 가 Monitor Signal Trigger
 Circuits, A/B Position

Address IP
 Source가 PLS . PLS 2가
 가 가 Circuit

, Modem 가 Console Port PLS
 가 System Parameter Command
 Location Status . Circuit Circuit Name Plug

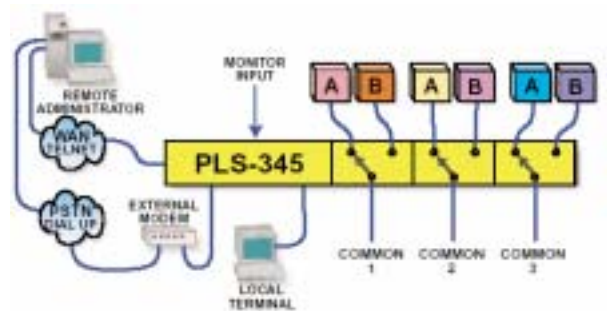


PLS-345 Status Screen



Application

- CAT5 A/B Switching
- 10/100 Ethernet, ISDN, DSL, Telco RS-232 Lines A/B
 Routing
- Remote Switching
- Backup Firewall VPN
- Disaster Recovery Switching()



PLS-345

Specification

Interface	RJ-45, 3 Jacks, CAT5A Compliant, Capable of Switching 10/100 Base-T with Minimum db loss, 8 Pins Switched, Common Jack to A or B Jack		
Contacts	High Reliability, Mechanical Relays, Break before Make Contacts with 1 amp @ 30VDC Rating, 100 million Cycle Life		
Switching	Manual	Individual	All
	Code	Circuit Number	Name
Network Port	10Base-T Ethernet, RJ-45		
Console Port	RS-232, DB-9M, DTE Pinout		
	Coding	Serial ASCII, 8 Bits, No Parity	
	Data Rate	2400, 9600, 19.2K, 38.4K bps	
Modem Port	RS-232, DB-9M, DTE Pinout Sends Auto-setup Command Strings()		
Memory	Non-Volatile() Parameter Storage		
		IEC-320 Inlet,100-240 VAC, 50/60Hz 5Watts	
		4.4 X 48.3 X 17.2 cm	
		2.7kg	
		: 0 ~ 50	
		10 – 90%RH	